

warichū  
割注 Layout

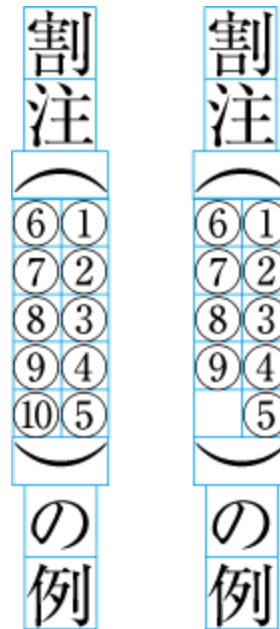
# What is Warichū?

- Japanese term for a type of inline notes
- Usage related to footnotes or marginalia, parentheticals
- Also used (more rarely) in Chinese
- Currently unsupported by CSS
  - Maybe it's a new layout mode?
  - Maybe it's a few missing independent features?

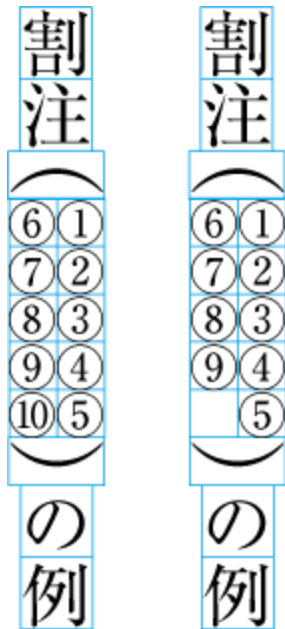
# What Does It Look Like?

漢字廃止論には、前島密（一八三五―一九一九年。明治時代の政治家・実業家、郵便制度の創始者）などによるものがある。しかし、漢字の廃止は、困難であり、そこで主張されたのが漢字節減論である。その代表的なものに福沢諭吉（一八三四―一九〇一年。明治時代の啓蒙思想家、慶応義塾大学を創設）の『文字之教』などがある。

# Basic Anatomy of Warichū

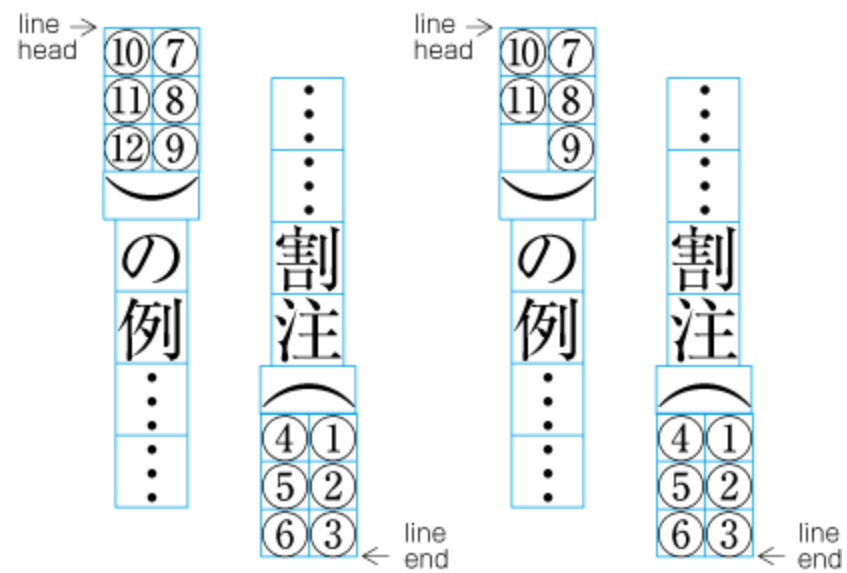


# How Would it Work?



- How do you set the number of lines (2)?
- How do you get the right length?
- Are the parentheses content or style?
- How do you place the parentheses?
- How do you size the parentheses?
- Something similar to an inline-block with text-wrap: balance?
- line-height, vertical-align, text-box-trim, text-spacing-trim: built-in or opt-in?

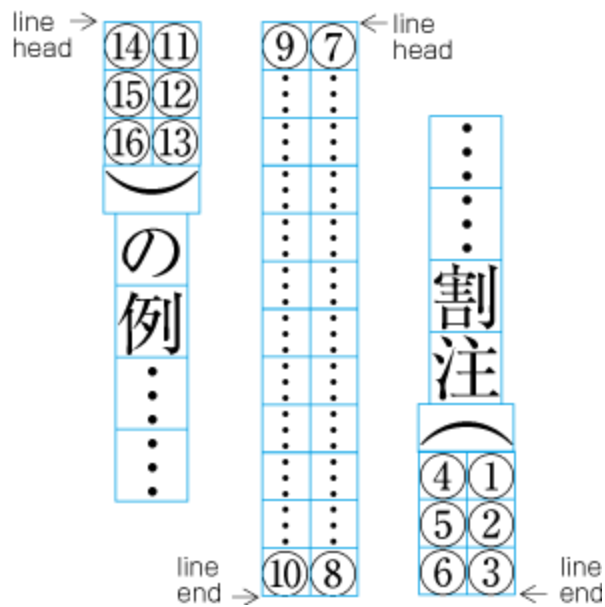
# Line Breaking





# How Would it Work, generalized?

Same questions as before, plus fragmentation:



- Some kind of inline-block with text-wrap: balance?
  - How do you set the number of lines?
  - How do you get the right length?
  - Are the parentheses content or style?
  - How do you place the parentheses?
  - How do you size the parentheses?
- line-height, vertical-align, text-box-trim, text-spacing-trim: built-in or opt-in?



# Precedent

- InDesign
- Illustrator
- Microsoft Word
- LibreOffice / OpenOffice
- TeX/LaTeX
- ...

# Priority

“ The frequency of use of the inline cutting note is not so high. However, the inline cutting note is very important for study guides, travel guides, reference books, encyclopedias and manuals, because it is very effective for inserting notes at the point in the text where they are needed. For these reasons, the priority assigned here is advanced.

warichū  
割注 Layout